

# JOHANNUS

***SCHEMATIC DIAGRAMS***

***DAK - 4***

***4 CHANNEL DIGITAL ACOUSTICS***

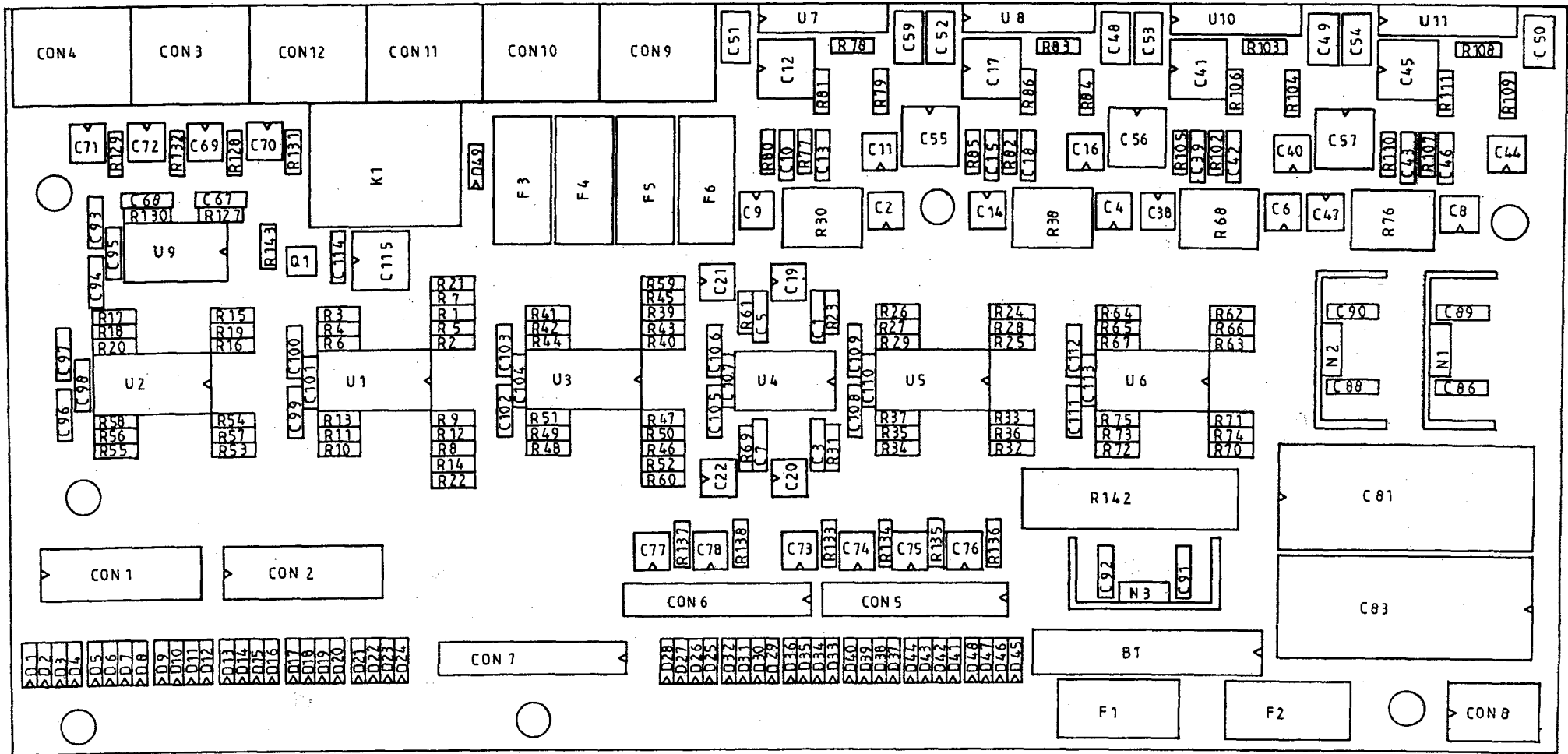
ALTERATIONS RESERVED

**JOHANNUS Orgelbouw b.v.**

Morsestraat 28 - 6716 AH Ede - Tel. (08386) 37403 - Fax (08386) 22238

# CONTENTS

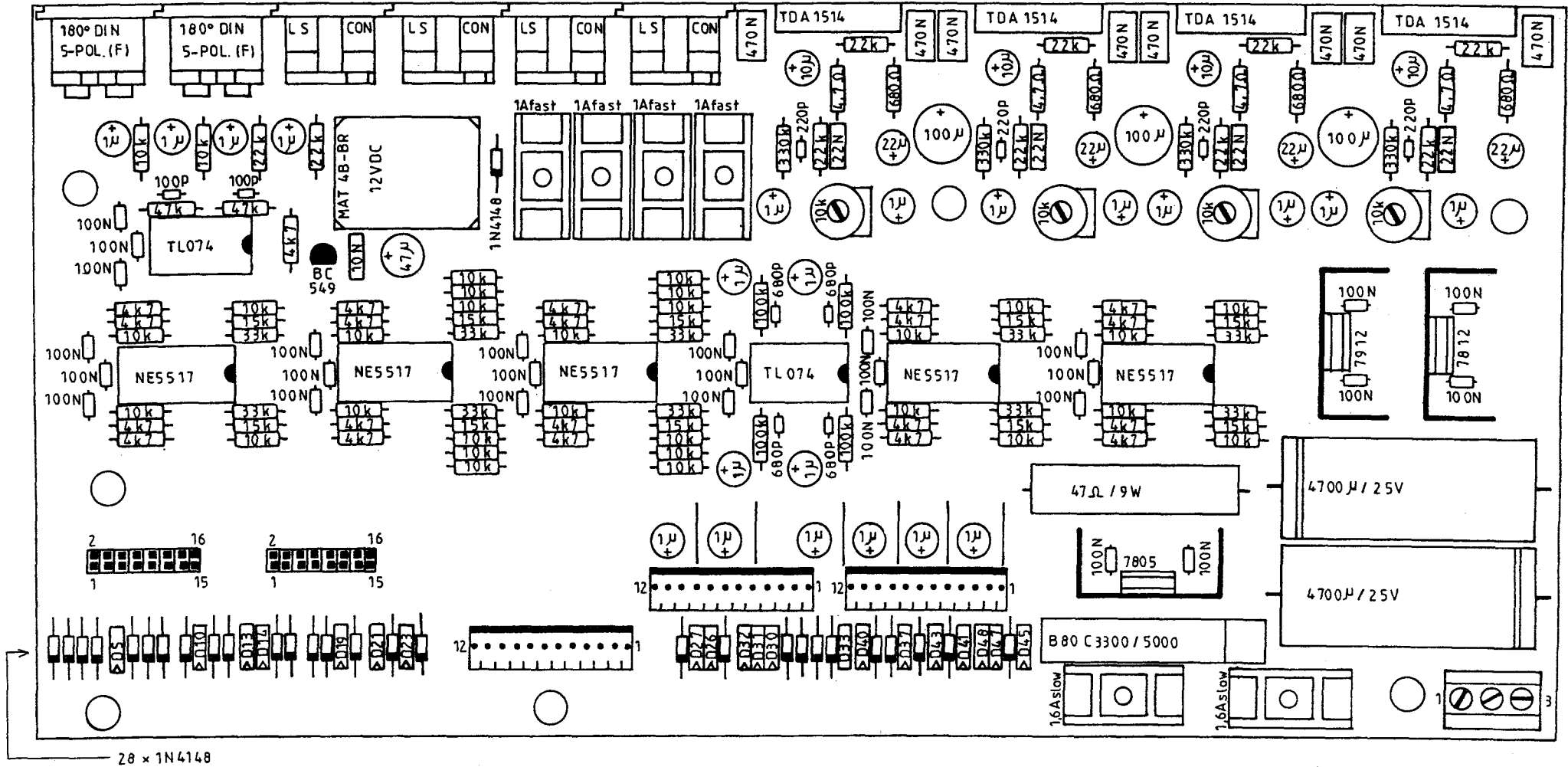
1. COMPONENT NUMBERING AMPLIFIER BOARD
2. LAY OUT AMPLIFIER BOARD
3. POWER SUPPLY & PINNING CONNECTORS
4. INPUT-AMPLIFIERS & INPUT VCA'S
5. PRE-AMP'S; VCA'S & POWER AMPLIFIERS
6. EXTERNAL CONNECTORS
7. GENERAL INFORMATION SEMI-CONDUCTORS



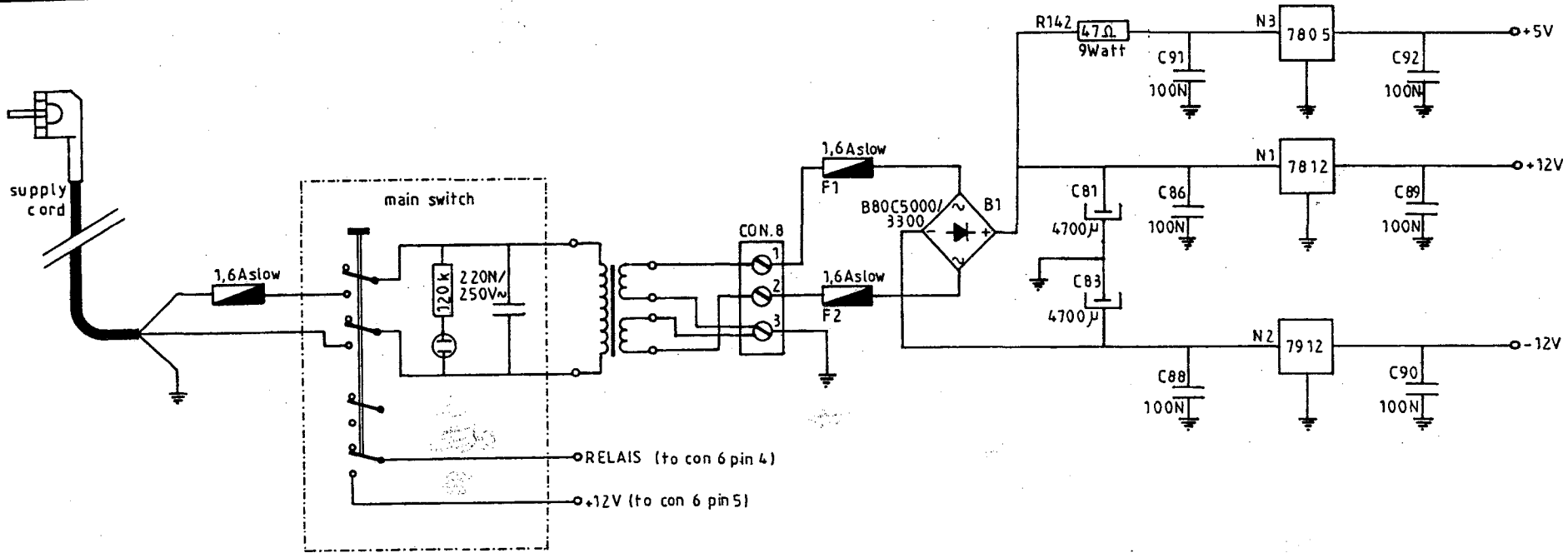
COMPONENT NUMBERING AMPLIFIER BOARD

DESIGN:	M.H.	01-08-89	<b>JOHANNUS</b> DIGITAL ACOUSTICS
DRAWN:	VERSCHOOR	18-08-89	
MODIFIED:	-	-	

copyright: **JOHANNUS Orgelbouw b.v.**  
 Morsestraat 28 6716 AH EDE HOLLAND  
 Tel. 08380-37403 Tlx. 37044 Jove NL Fax. 08380-22238

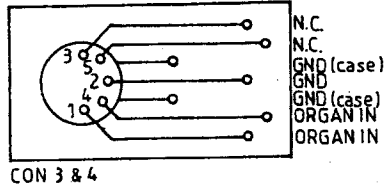


LAY OUT AMPLIFIER BOARD			
DESIGN:	M.H.	01-08-89	<b>JOHANNUS</b> DIGITAL ACOUSTICS
DRAWN:	VERSCHOOR	18-08-89	
MODIFIED:	VERSCHOOR	31-10-89	
copyright:	JOHANNUS Orgelbouw b.v.		page
	Morsestraat 28 6716AH EDE HOLLAND		
	Tel. 08380-37403 Tlx. 37044 Jove NL Fax. 08380-22238		2



SEL 1	10	02	SEL 2
SEL 3	30	04	SEL 4
+5V	50	06	+5V
GND	70	08	GND
GND	90	010	GND
OUT A	110	012	+12V
-12V	130	014	INPUT
OUT B	150	016	N.C.

CON 1 & 2



+12V	012
VOL CH I	011
-12V	010
+12V	09
VOL CH II	08
-12V	07
+12V	06
VOL CH III	05
-12V	04
+12V	03
VOL CH IV	02
-12V	01

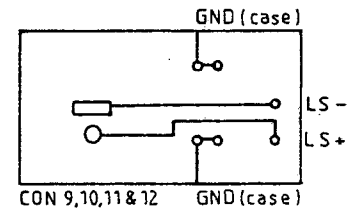
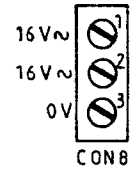
CON 5

+12V	012
VOL DIRECT	011
-12V	010
+12V	09
VOL ECHO	08
-12V	07
N.C.	06
+12V	05
RELAIS	04
N.C.	03
N.C.	02
SW0	01

CON 6

SW1	012
SW2	011
SW3	010
SW4	09
SW5	08
SW6	07
SW7	06
SW8	05
SW9	04
SW10	03
SW11	02
SW12	01

CON 7

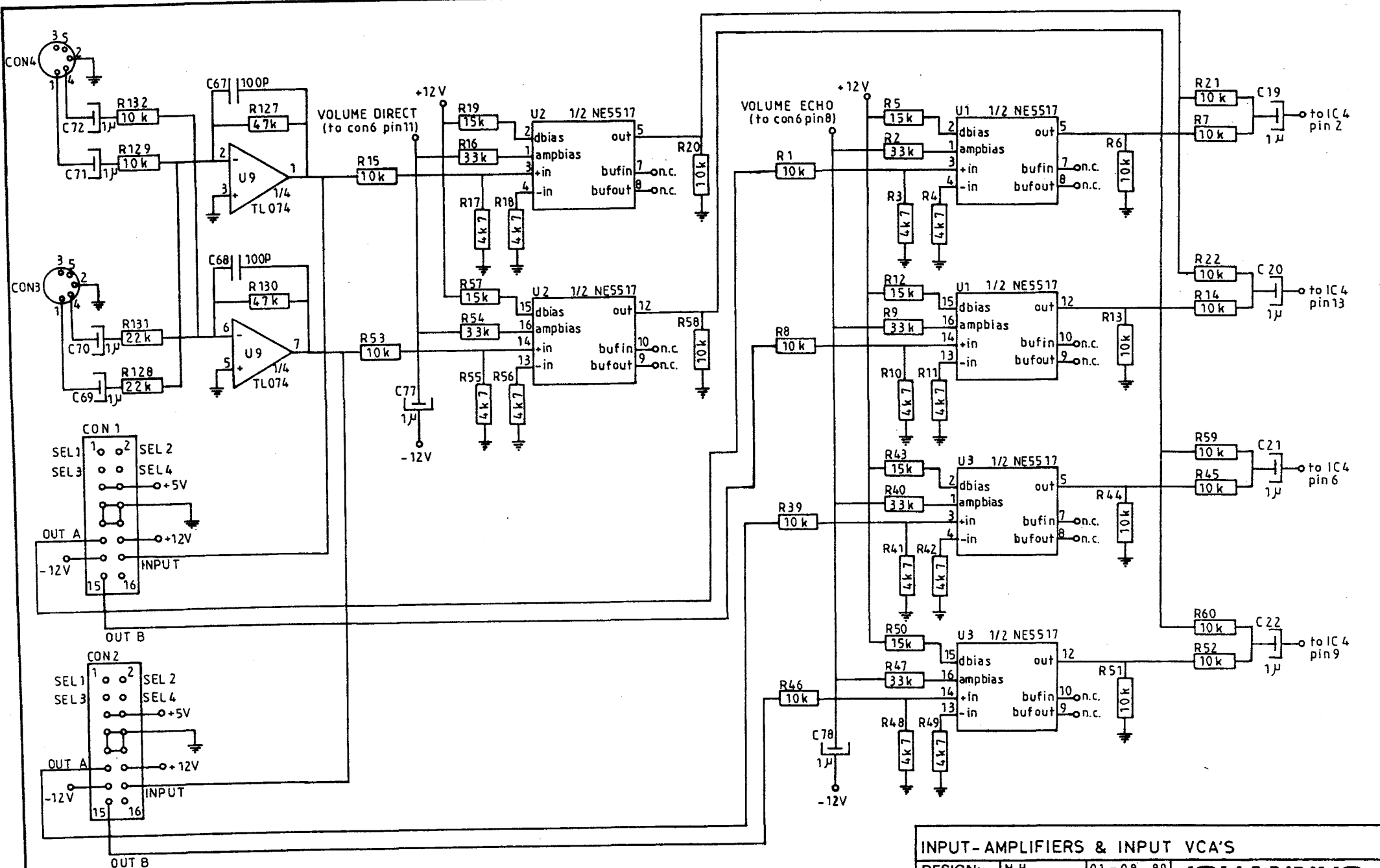


**POWER SUPPLY & PINNING CONNECTORS**

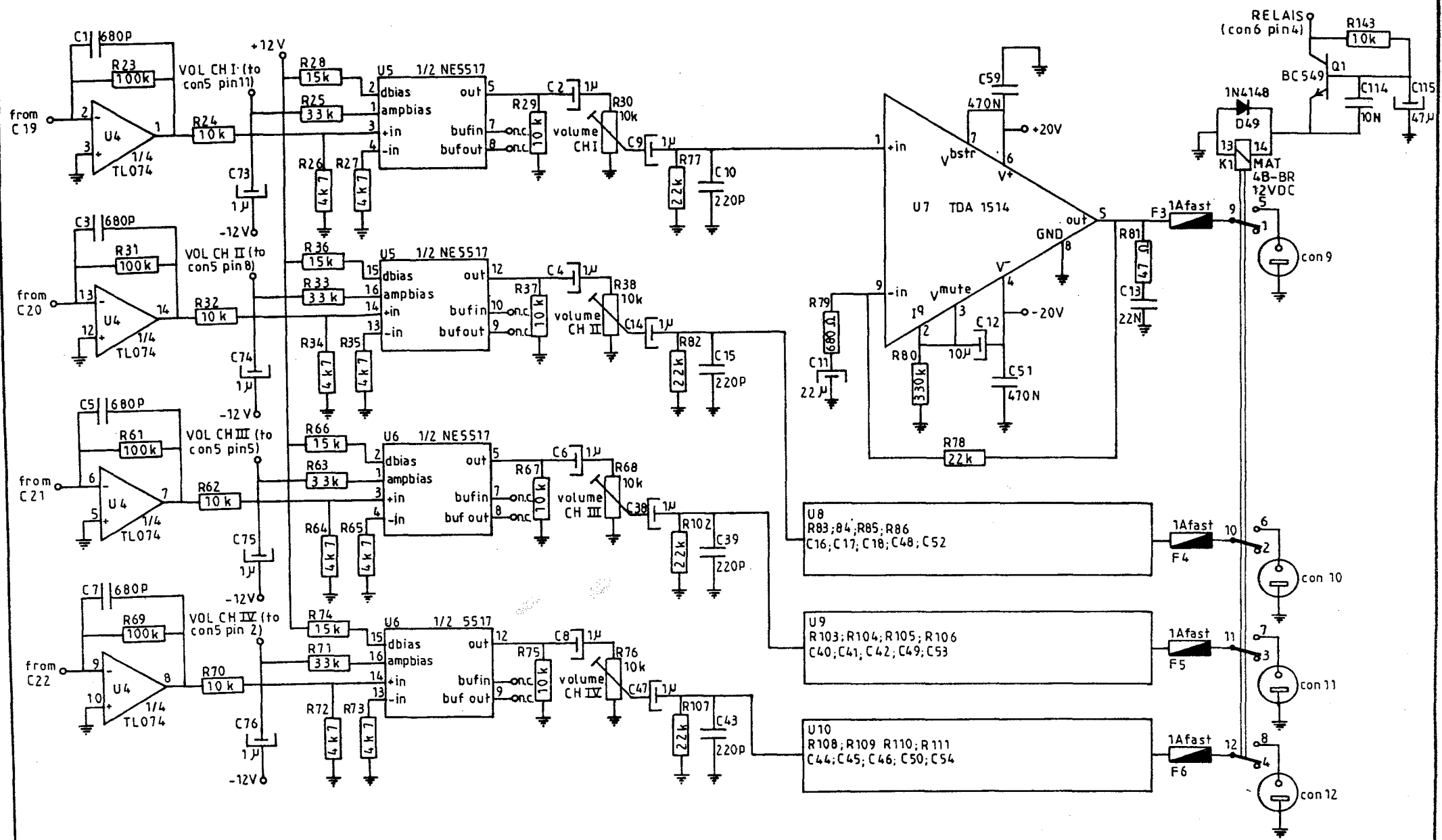
DESIGN:	M.H.	01-08-89	<b>JOHANNUS</b>
DRAWN:	VERSCHOOR	21-08-89	
MODIFIED:	-	-	

copyright: **JOHANNUS Orgelbouw b.v.**  
Morsestraat 28 6716AH EDE HOLLAND  
Tel. 08380-37403 Tlx. 37044 Jove NL Fax. 08380-22238

page 3



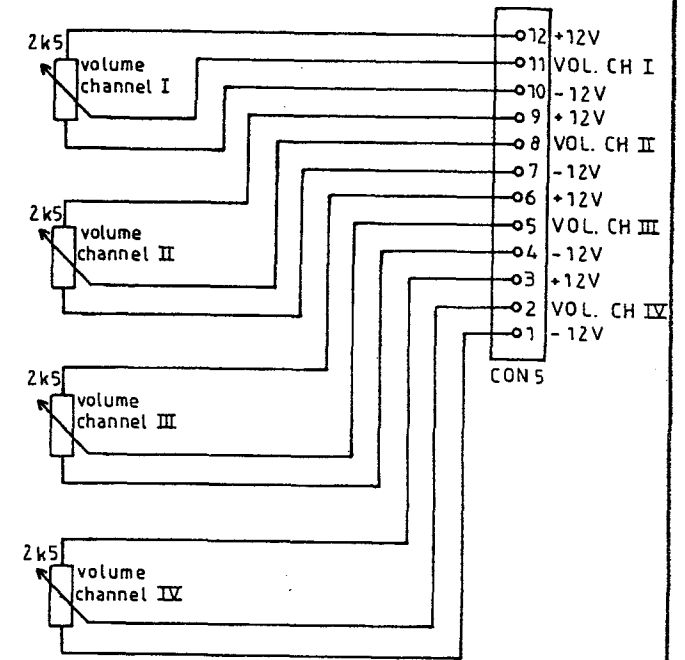
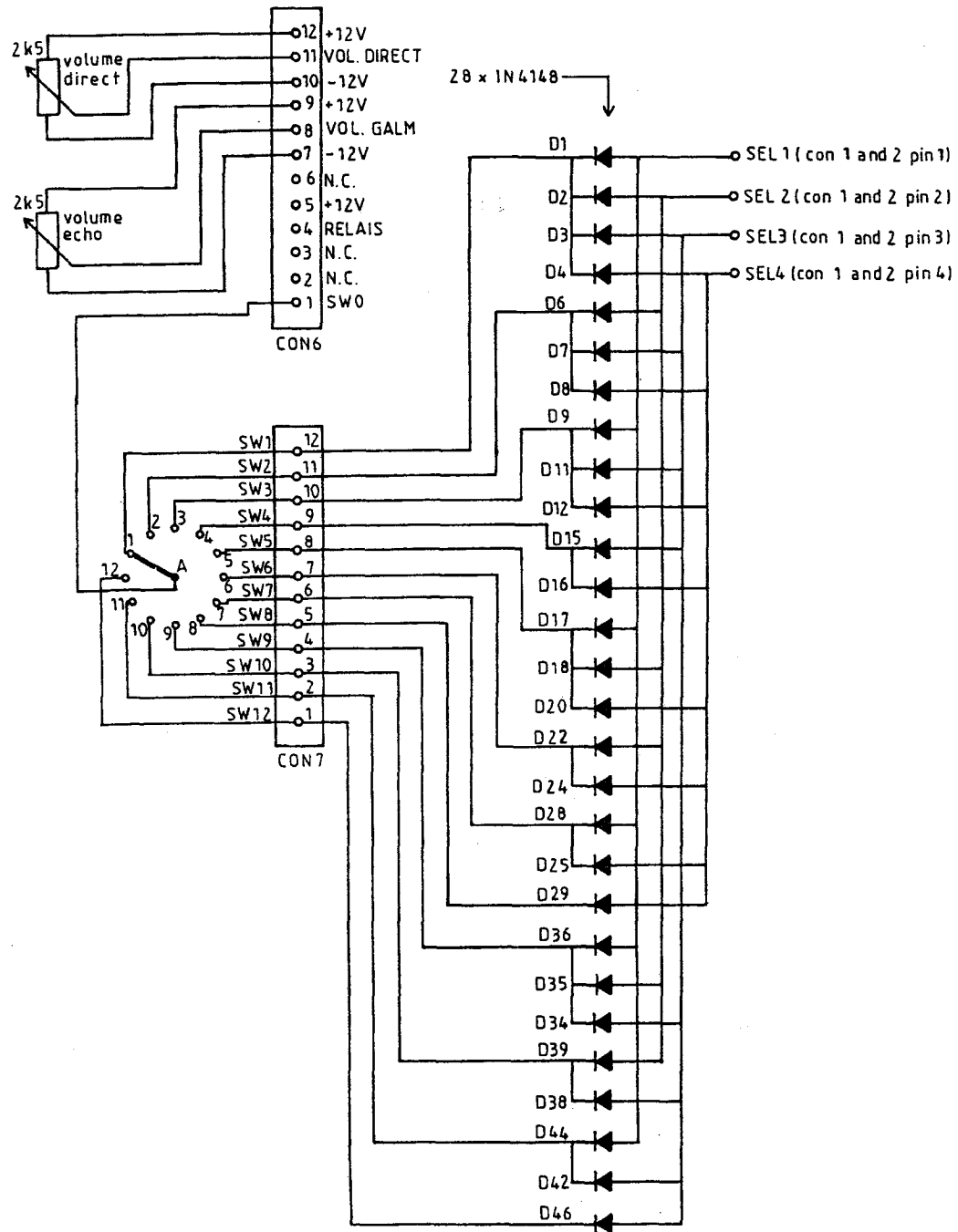
INPUT-AMPLIFIERS & INPUT VCA'S		
DESIGN:	M.H.	01-08-89
DRAWN:	VERSCHOOR	25-08-89
MODIFIED:	VERSCHOOR	31-10-89
copyright: JOHANNUS Orgelbouw b.v.		page
Morsestraat 28 6716AH EDE HOLLAND		4
Tel.08380-37403 Tlx. 37044 Jove NL Fax. 08380-22238		



PRE-AMP'S ; VCA'S & POWER AMPLIFIERS

DESIGN:	M.H.	01-08-89	<b>JOHANNUS</b> DIGITAL ACOUSTICS
DRAWN:	VERSCHOOR	04-09-89	
MODIFIED:	VERSCHOOR	31-10-89	

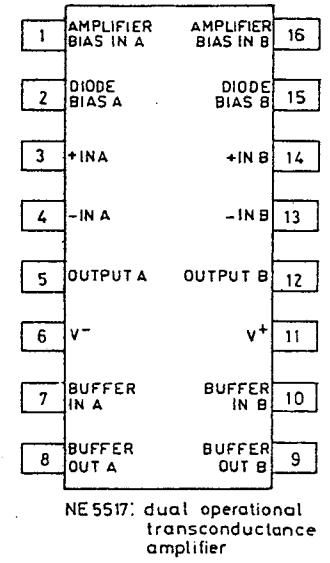
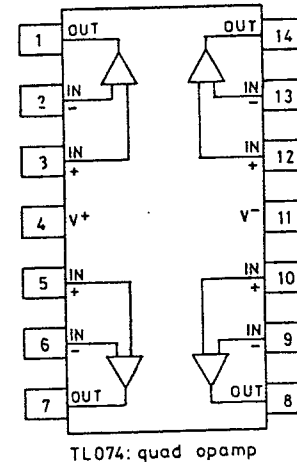
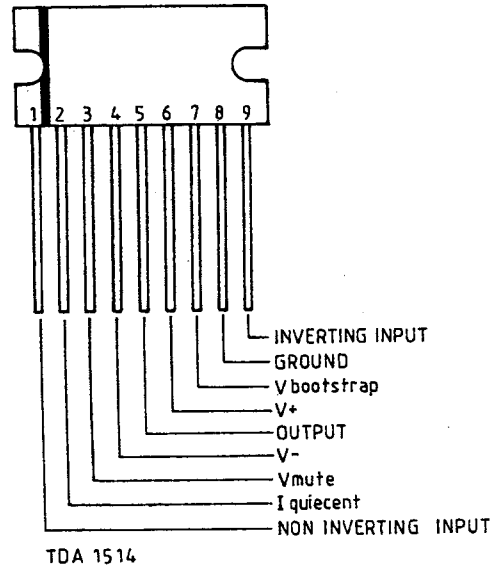
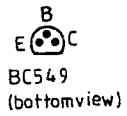
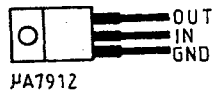
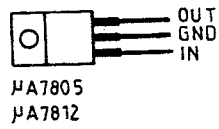
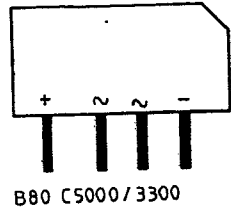
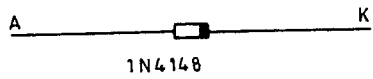
copyright: **JOHANNUS Orgelbouw b.v.**  
Morsestraat 28 6716AH EDE HOLLAND  
Tel.08380-37403 Tlx. 37044 Jove NL Fax. 08380-22238



EXTERNAL CONTROLS		
DESIGN:	M.H.	01-08-89
DRAWN:	VERSCHOOR	05-09-89
MODIFIED:	-	-
copyright: JOHANNUS Orgelbouw b.v.		page
Morsestraat 28 6716AH EDE HOLLAND		6
Tel.08380-37403 Tlx. 37044 Jove NL Fax. 08380-22238		

**JOHANNUS**  
DIGITAL ACOUSTICS





GENERAL INFORMATION SEMI-CONDUCTORS			
DESIGN:		- -	<b>JOHANNUS</b> DIGITAL ACOUSTICS
DRAWN:	VERSCHOOR	05 - 09 - 89	
MODIFIED:		- -	
copyright:	JOHANNUS Orgelbouw b.v. Morsestraat 28 6716AH EDE HOLLAND Tel.08380-37403 Tlx. 37044 Jove NL Fax. 08380-22238		page 7